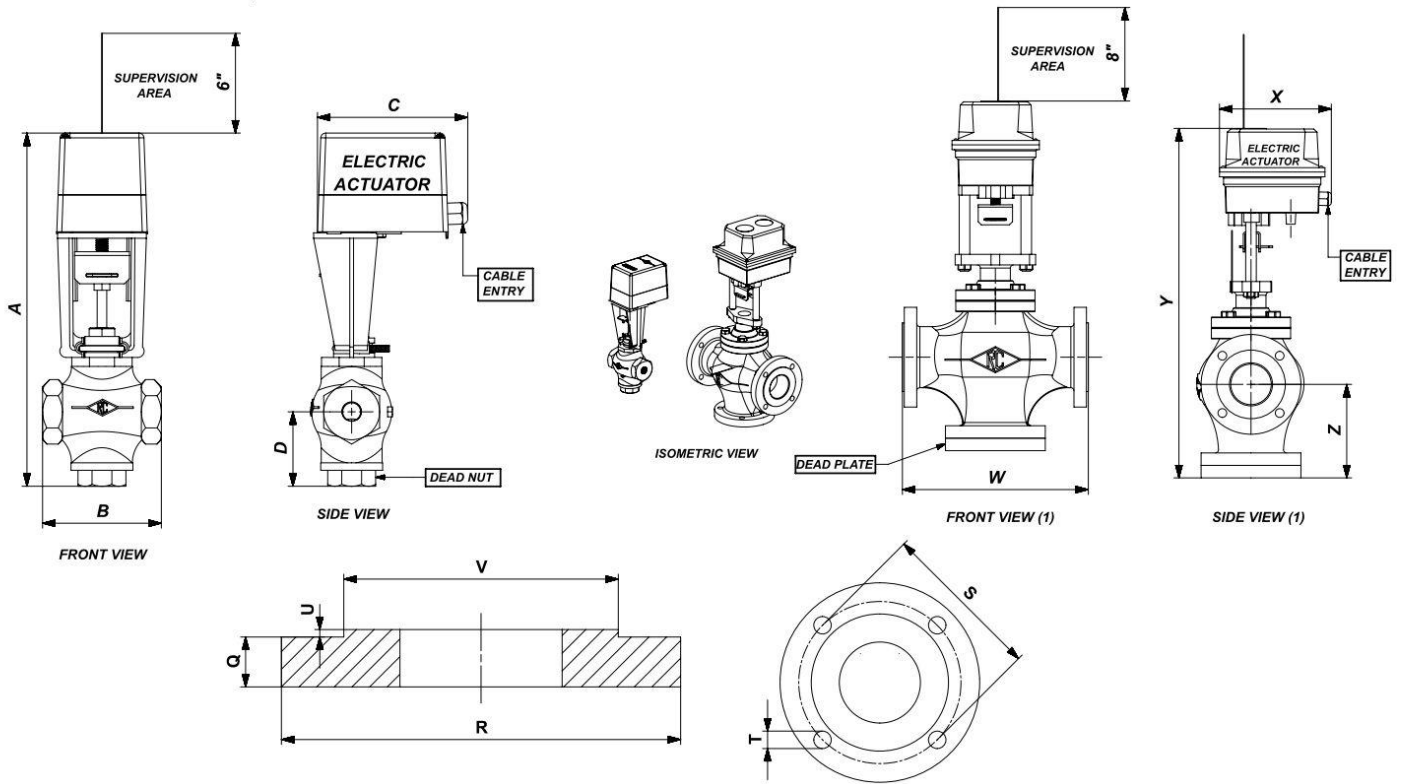


GA DRAWING 3 WAY GLOBE VALVE MIXING TYPE



FOR SIZE UPTO 50MM

SIZE	A	B	C	D
20MM	361MM	116MM	162MM	81MM
25MM	361MM	116MM	162MM	81MM
32MM	362MM	116MM	162MM	85MM
40MM	379MM	130MM	162MM	91MM
50MM	388MM	153MM	162MM	94MM

FOR SIZE 65MM TO 150MM

SIZE	W	X	Y	Z
65MM	224MM	180MM	541MM	133MM
80MM	240MM	180MM	558MM	140MM
100MM	282MM	180MM	603MM	153MM
125MM	305MM	180MM	664MM	187MM
150MM	NA	NA	NA	NA

FLANGE AND DRILLING DETAILS (FOR SIZE 65MM TO 150MM)

VALVE SIZE	Q	R	NO. OF HOLES	S	T	U	V
65MM	20	160	04	130	14	03	110
80MM	21	180	04	150	18	03	120
100MM	22	210	04	170	18	03	148
125MM	30	254	08	210	17	NA	NA
150MM	NA	NA	NA	NA	NA	NA	NA

Address :- B-47, Block B, Mayapuri Industrial Area Phase I, Mayapuri, New Delhi, 110064

E-Mail ID :- info@rapidcontrols.in, sales1@rapidcontrols.in, sales3@rapidcontrols.in

Phone No. :- +91-9971998828, +91-9971998824, +91-9971998871, +91-8743854385

Web. www.rapidcontrols.in